

SOGEVAC SV 16 D and SV 25 D



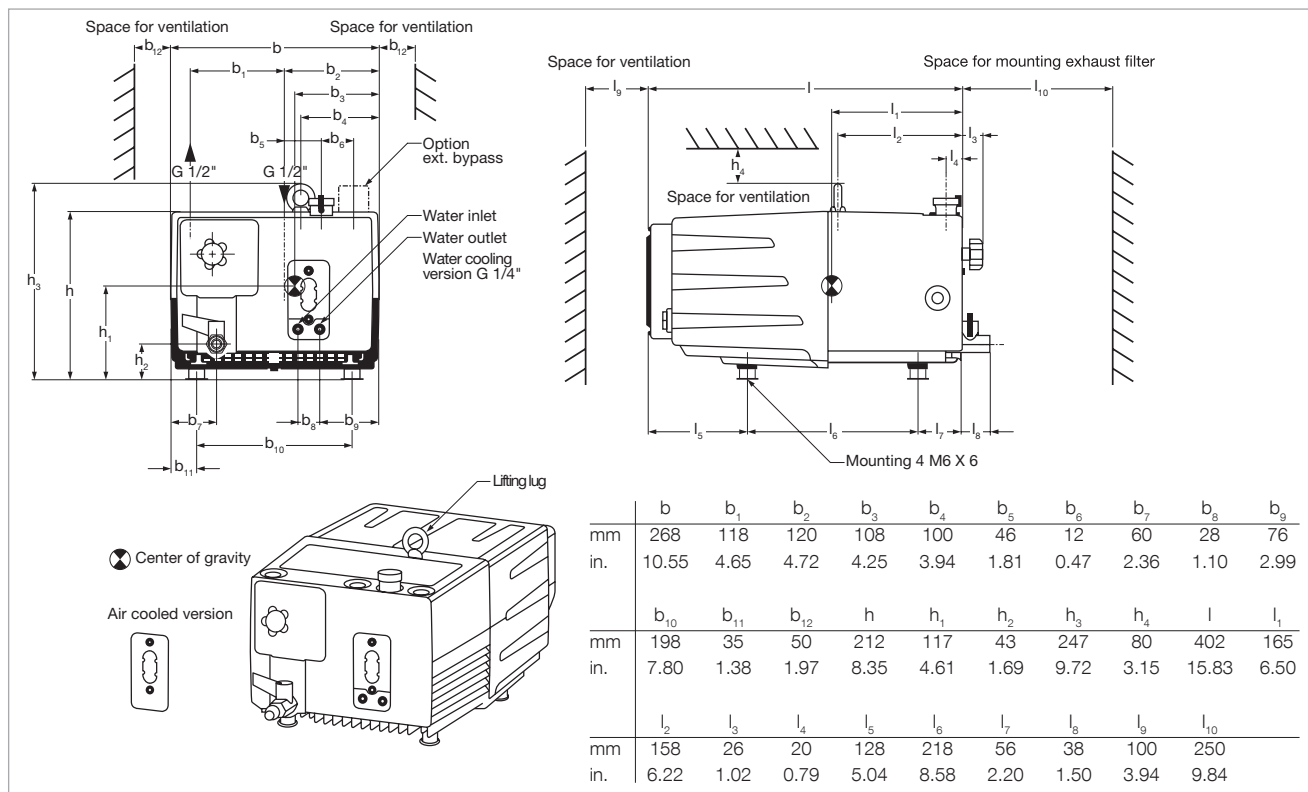
SOGEVAC SV 16 D / 25 D

Advantages to the User

- Good pump temperature due to optimized air cooling. Add water cooling possible, ideal for harsh applications and optimal oil life time thus reached
- 4 times more oil than on comparable pumps allow long oil life times
- Optimized integrated lubrication without external pipes
- Integrated oil recovery system and anti suckback valve
- Low noise level due to low pump speed
- Variant concept
- 3 phase wide range motors
- Different single phase motors with overload protection in accordance to EN 61010-1
- Compact and nice design

Typical Applications

- Oil purification, drying and de-gassing
- Plastic and rubber injection presses
- CO₂ lasers
- O₂ applications
- Analytical Instruments
- and more ...



Dimensional drawing for the SOGEVAC SV 16 D and SV 25 D

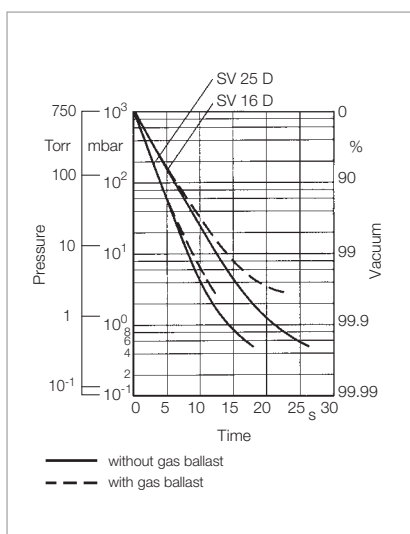
Technical Data

		SOGEVAC SV 16 D		SOGEVAC SV 25 D	
		50 Hz	60 Hz	50 Hz	60 Hz
Nominal speed ¹⁾	m ³ /h (cfm)	16.0 (9.4)	18.7 (11.0)	25.0 (14.7)	29.0 (17.0)
Saugvermögen ¹⁾	m ³ /h (cfm)	14.5 (8.5)	17.0 (10.0)	22.5 (13.3)	25.5 (15.0)
Ultimate total pressure without gas ballast ¹⁾	mbar (Torr)	≤ 0.5 (≤ 0.4)			
Ultimate total pressure with gas ballast ¹⁾	mbar (Torr)	≤ 1.5 (≤ 1.1)			
Water vapor tolerance ¹⁾	mbar (Torr)	15.0 (11.3)			
Water vapor capacity	kg/h (qt/hr)	0.05 (0.05)	0.15 (0.16)	0.05 (0.05)	0.15 (0.16)
Oil capacity	l (qt)	2.0 (2.1)			
Noise level ²⁾	dB(A)	59			
Admissible ambient temperatur 1~ (oil: 32 cSt, approx.)	°C (°F)	+18 bis +40 (+64 to 104)			
3~	°C (°F)	+12 bis +40 (+54 to 104)			
Motor power (1~ and 3~), approx.	kW (hp)	0.75 (1.01)	0.90 (1.21)	0.75 (1.01)	0.90 (1.21)
Nominal speed	min ⁻¹ (rpm)	1440 (1440)	1750 (1750)	1440 (1440)	1750 (1750)
Weight (with oil filling)	kg (lbs)	25 (55.1)			
Connections, Intake and Exhaust ³⁾ (Inside thread)	NPT/G	1/2"			

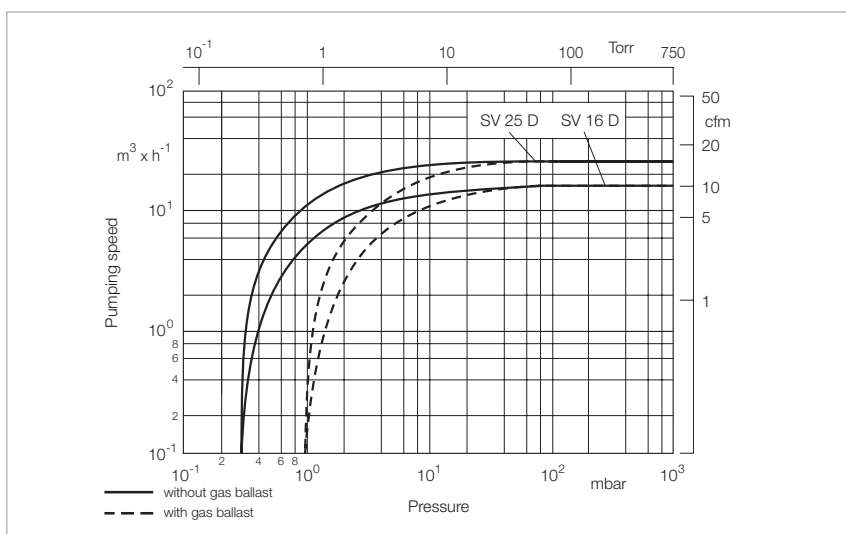
¹⁾ To DIN 28 400 ff

²⁾ Operated at the ultimate pressure without gas ballast, free-field measurement at a distance of 1 m (3.5 ft)

³⁾ Please indicate when ordering a pump



Pump-down characteristics of a 10 l vessel at 50 Hz



Pumping speed characteristics of the SOGEVAC SV 16 D and SV 25 D at 50 Hz (60 Hz curves at the end of the chapter)

Ordering Information

SOGEVAC SV 16 D

SOGEVAC SV 25 D

	Part No.	Part No.
SOGEVAC SV 16/SV 25 D		
with UL/CSA world three-phase motor and integrated gas ballast valve		
200 – 240 V ±10% and 380 – 415 V ±10%, 50 Hz /		
200 – 240 V ±10% and 380 – 460 V ±10%, 60 Hz ¹⁾	960 181V	960 211V
200 V +10%/-15%, 50/60 Hz	960 180V	960 210V
with single phase motor and integrated gas ballast valve		
200 – 240 V ±10%, 50/60 Hz	960 185V	–
230 V ±10%, 50/60 Hz	–	960 215V
110 – 115 V ±10% and 220 – 230 V ±10%, 50/60 Hz (switchable manually)	960 186V	–
Other voltages/frequencies	upon request	upon request
Filling with special oil	upon request	upon request
Accessories		
Exhaust filter monitoring gauge, mechanical G 3/4" ^{2), 3)}	951 93	951 93
Temperature switch conversion kit with plug, for three-phase version only ^{2), 3)}	upon request	upon request
Spare Parts		
Exhaust filter cartridge AFE SV16/25 BR2	712 32 023	712 32 023
Maintenance kit (filter, O-Ring, filling plug)	EK 971 473 420	EK 971 473 420
Seal kit FPM (FKM)	EK 971 473 430	EK 971 473 430
Repair kit complete	EK 971 473 440	EK 971 473 440

¹⁾ Pumps are delivered in high voltage connection.

For an operation at low voltage, the connections at motor terminal board must be changed

²⁾ Please indicate when ordering a pump

³⁾ Can be retrofitted